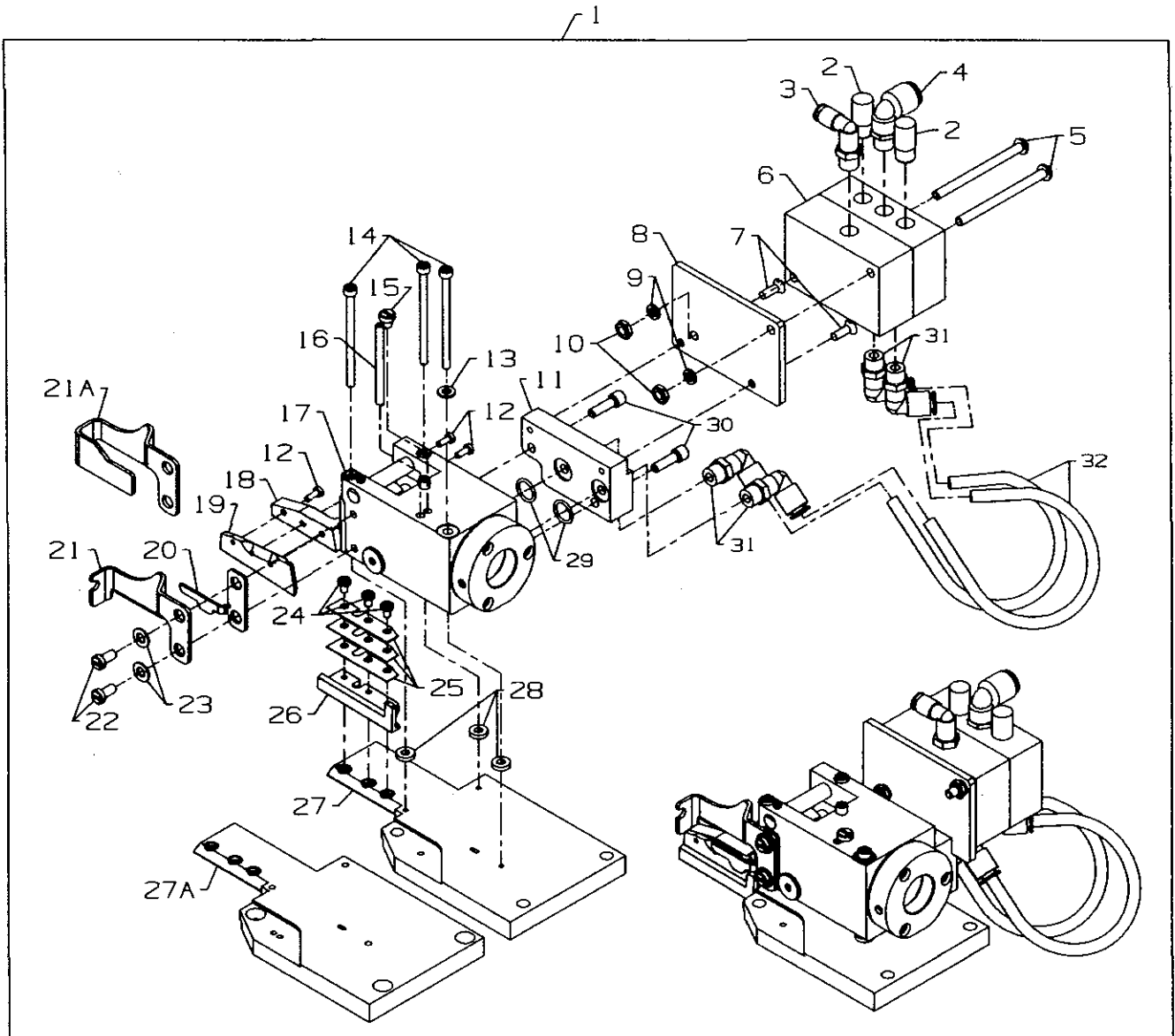
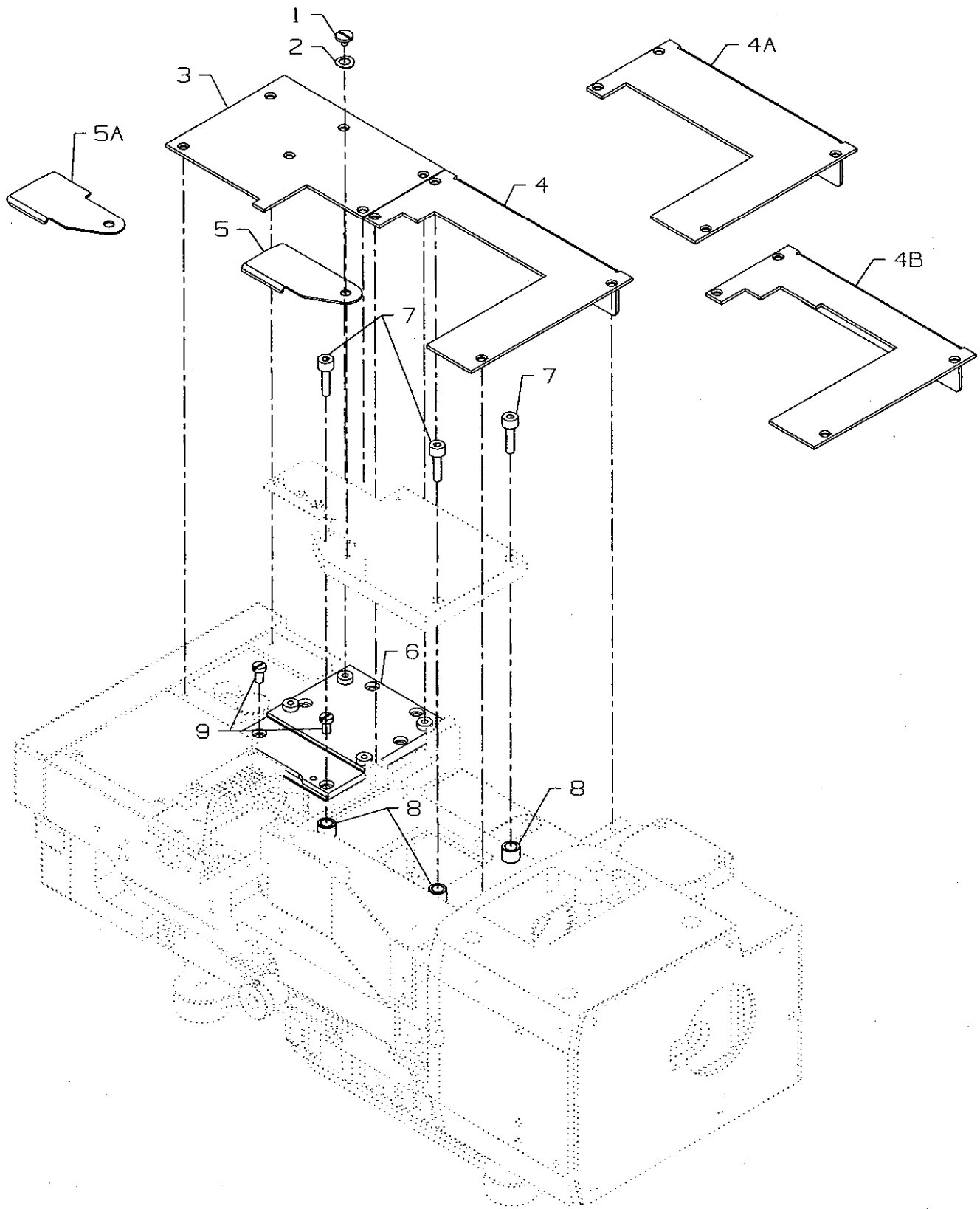


TC4 & TC4B Pneumatic Fast Action Tape Cutter is activated by using the Pneumatic Knee Switch.



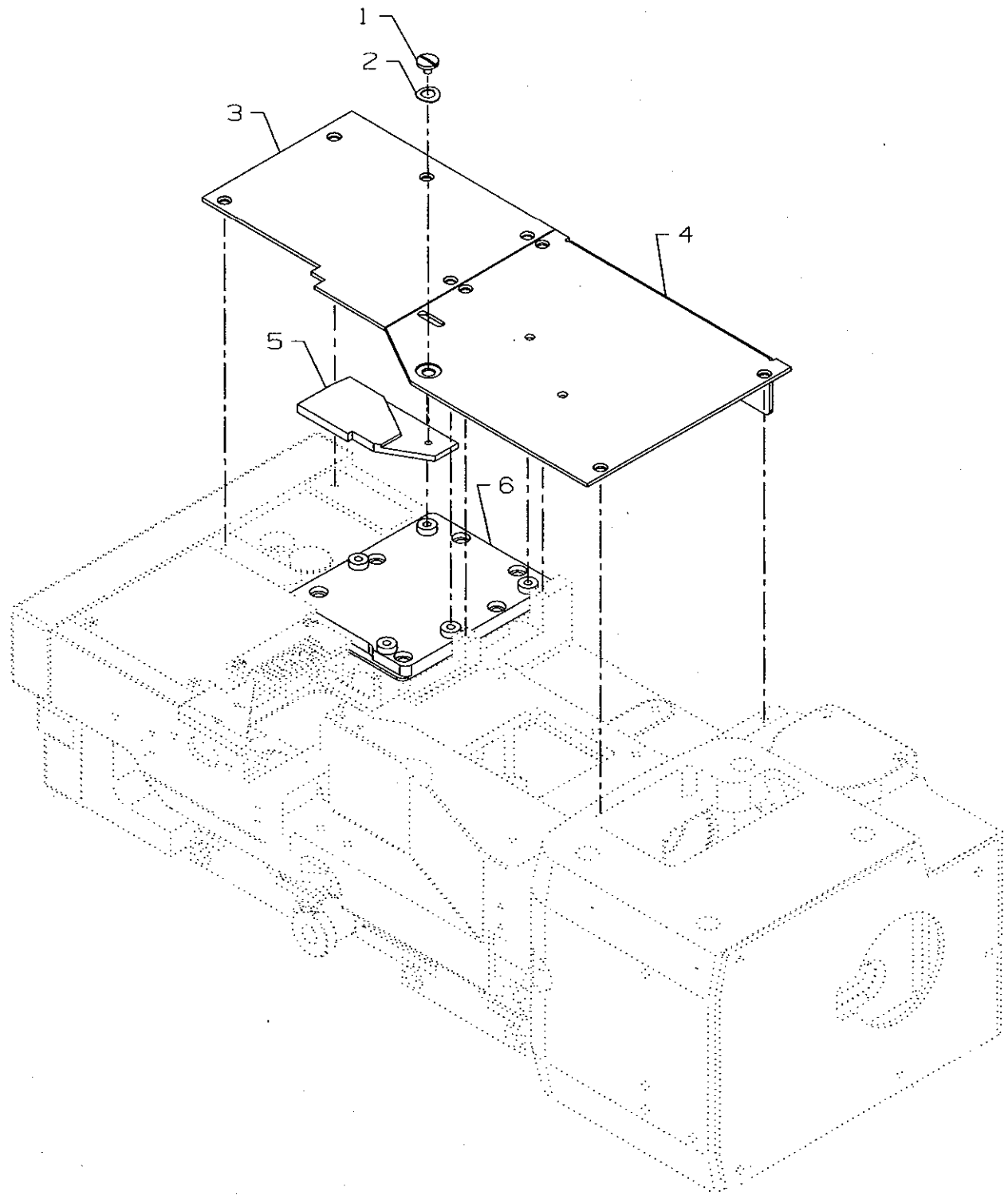
TC4 PNEUMATIC FAST ACTION TAPE CUTTER

Ref. No.	Part No.	Description	Amt. Req.
1.	29933CB	Pneumatic Fast Action Tape Cutter Ass., for styles C01, E12, UC01, UE12	1
-	29486AR	Pneumatic Fast Action Tape Cutter Ass., for styles UC02	1
2.	660-403	Muffler	2
3.	671F82C	Male "L"	1
4.	671F79	Elbow Fitting	1
5.	22635F144	Round Head	2
6.	671-86	Binary Counter Valve	1
7.	22637N32	Ft. Hd. Screw	2
8.	56382AR	Bracket	1
9.	RM3993-3	Washer	2
10.	660-602	#10-24 Hex Nut	2
11.	56382AS	Manifold	1
12.	99343D	Screw	3
13.	8372A	Washer	1
14.	95409A	Screw	3
15.	95169	Screw	1
16.	99702E	Eccentric Bolt	1
17.	29933C	Tape Clipper	1
18.	99701CA	Knife Lever	1
19.	99670MC	Upper Knife	1
20.	99682NC	Finger Guard, for 29933CB	1
21.	99682ND	Finger Guard, for 29933CB	1
21A.	50396N	Finger Guard, for 29486AR	1
22.	95157	Screw	2
23.	20	Washer	2
24.	22513D	Screw	3
25.	99702DA	Shim	2
26.	99669MC	Lower Knife	1
27.	50373CK	Base Plate, for 29933CB	1
27A.	50383BH	Base Plate, for 29486AR	1
28.	99702GA	Spacer	3
29.	999-93	Round Belt - "O" Ring	2
30.	95403A	Screw	2
31.	671F81C	Elbow	4
32.	671B37DA	Nylon Tubing	2



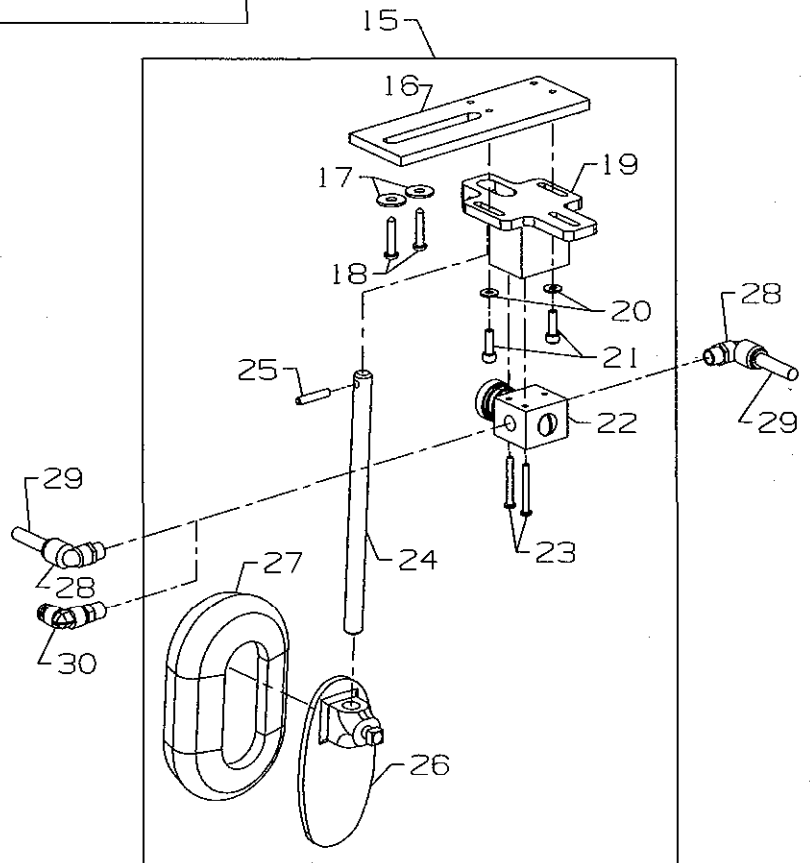
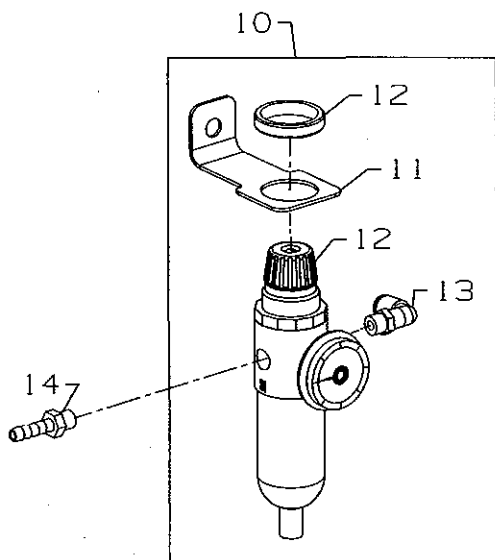
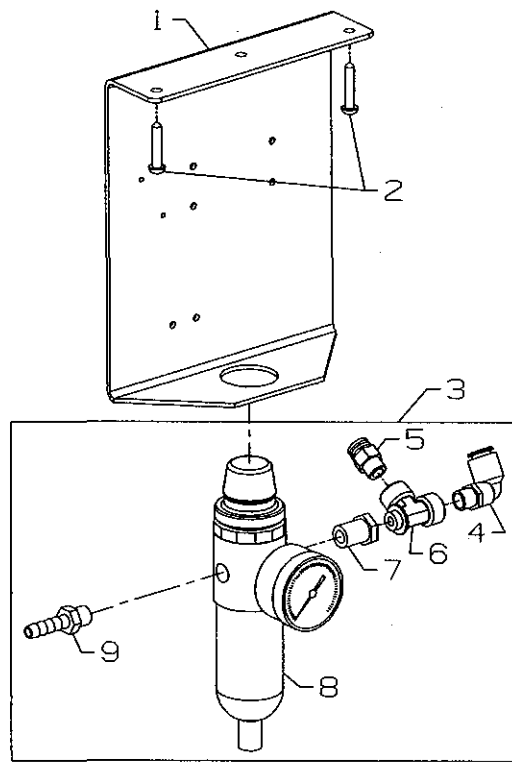
TC1, TC2, TC3,TC4 MISCELLANEOUS COVERS, FLUSH MOUNT

Ref. No.	Part No.	Description	Amt. Req.
1.	22726	Screw, for swing plate	1
2.	95978	Washer, for swing plate	1
3.	50301BC	Cloth Plate, left	1
4.	50301CL	Cloth Plate, right, for 29486AF, 29486AG, 29486AD Tape Cutters	1
4A.	50301BD	Cloth Plate, right, for 29933CB, 29486AR Tape Cutters	1
4B.	50301DB	Cloth Plate, right, for 29486AK, 29486AP Tape Cutters	1
5.	50332N	Swing Plate, for 29486AF, 29486AG, 29486AD, 29933CB Tape Cutters	1
5A.	50362P	Swing Plate, for 29486AK, 29486AP, 29486AR Tape Cutters	1
6.	50382GP	Cover, feed chamber.....	1
7.	99371B	Screw	3
8.	50374H	Spacer	3
9.	SS6120940SP	Screw	2



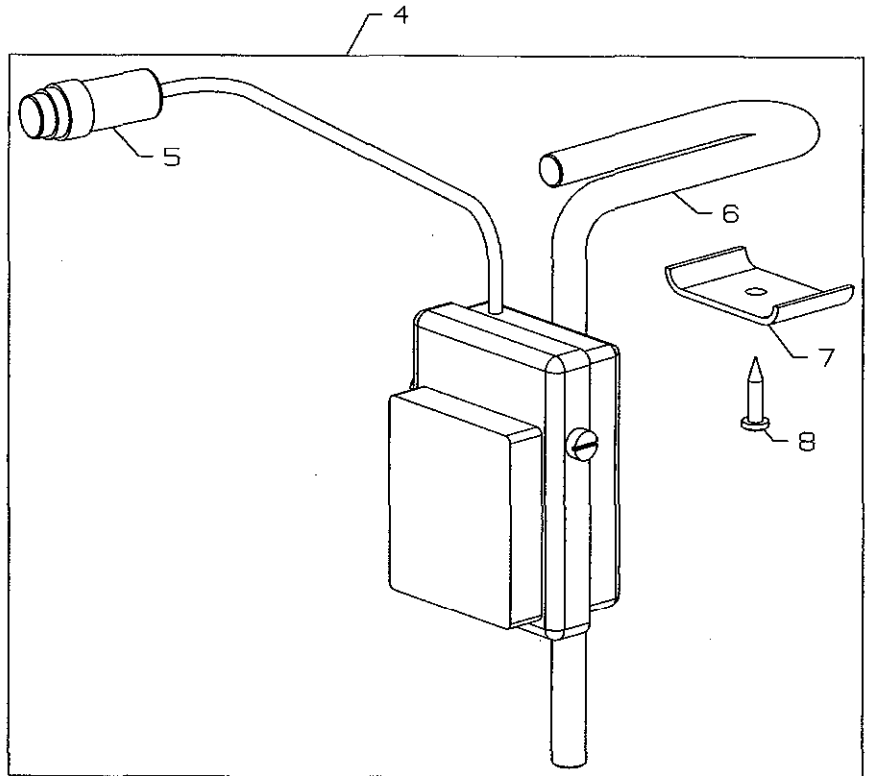
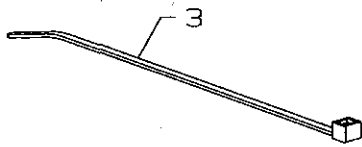
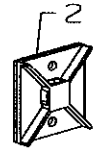
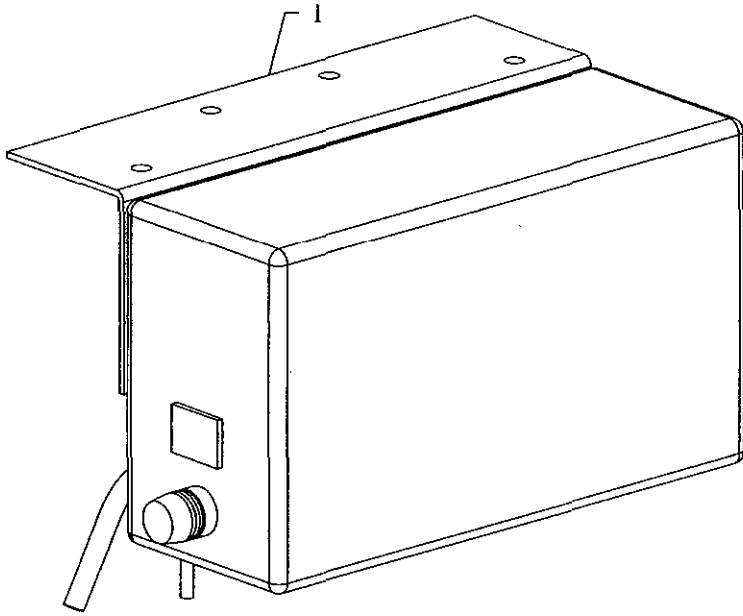
TC2 MISCELLANEOUS COVERS, TOP MOUNT

Ref. No.	Part No.	Description	Amt. Req.
1.	22726	Screw, for swing plate	1
2.	95978	Washer, for swing plate	1
3.	50301BU	Cloth Plate, left	1
4.	50301BT	Cloth Plate, right, for 29486AE Tape Cutter	1
5.	50345U	Swing Plate, for 29486AE Tape Cutter	1
6.	50382GP	Cover, feed chamber.....	1



TC2, TC4, TC4B PNEUMATIC CONTROLS

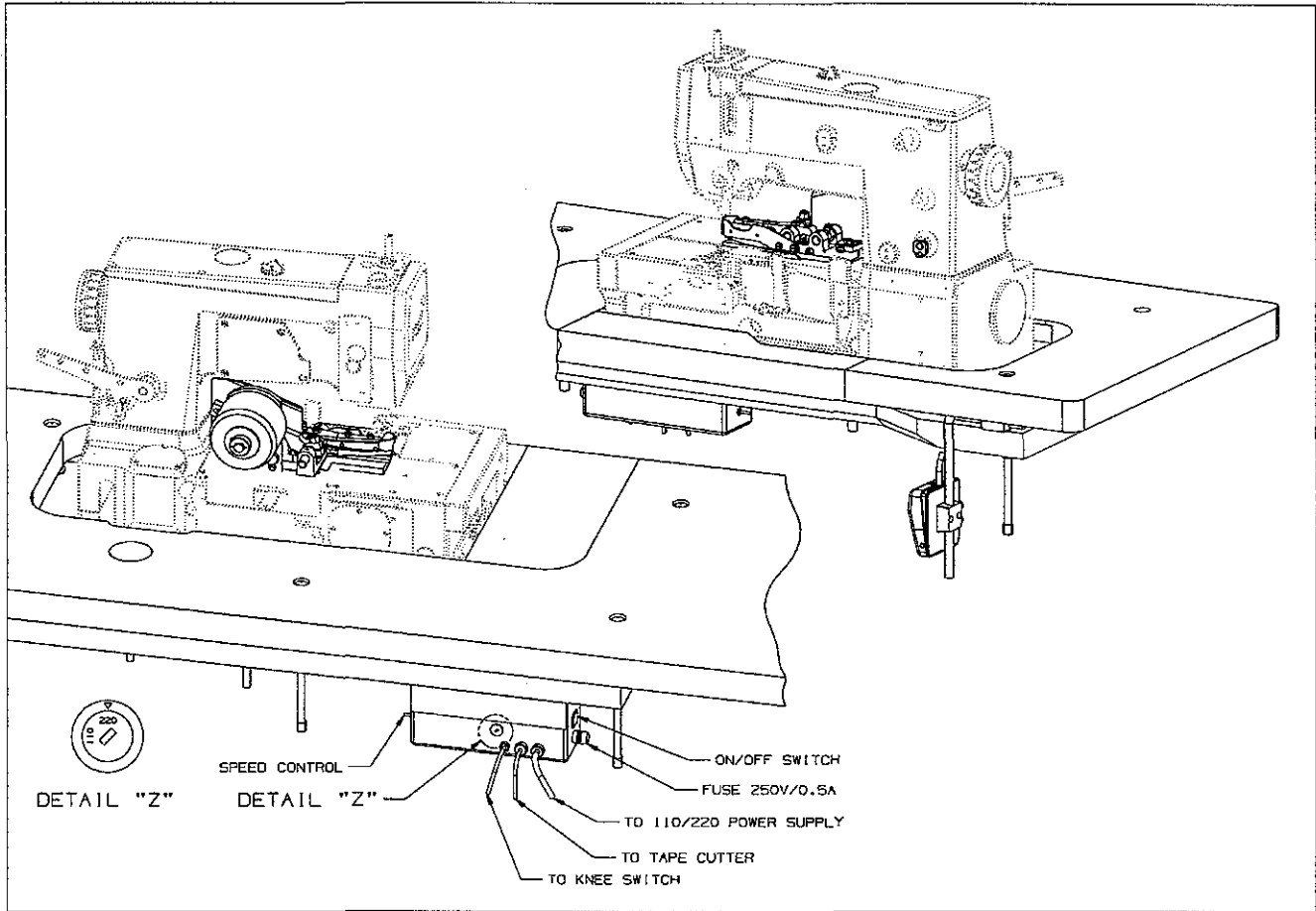
Ref. No.	Part No.	Description	Amt. Req.
1.	99683CP	Mounting Bracket, for TC4	1
2.	90561K	Wood Screw	2
3.	29480AWF	Pneumatic Control Assembly, for TC4	1
4.	671F79	Elbow Fitting	1
5.	671F81D	Connector	1
6.	RM2850D	Tee	1
7.	671F6	Bushing	1
8.	671D42	Filter Regulator	1
9.	671F88	Barb Fitting	1
10.	29480ZA	Pneumatic Control Assembly, for TC2	1
11.	39583A	Mounting Bracket	1
12.	671D31	Filter Regulator	1
13.	671F79	Elbow Fitting	1
14.	671F1	Barb Fitting	1
15.	29480AWN	Knee Press Fitting	1
16.	50364H	Mounting Plate	1
17.	96902	Washer	2
18.	90561K	Wood Screw	2
19.	AS7-2	Knee Press Base	1
20.	RM3293-5	Flat Washer	2
21.	22653B10	Screw	2
22.	671-85	3-Way Valve Assembly	1
23.	RM4377-4	Screw	2
24.	AS7-1	Knee Press Rod	1
25.	667C16	Dowel Pin	1
26.	AS7-3	Knee Press	1
27.	660-168	Knee Press Pad	1
28.	671F69	Elbow Fitting	1/2
29.	67B38	Tubing	1/2
30.	671F82C	Elbow Fitting, for TC4	1



TC3 ELECTRIC CONTROLS

Ref. No.	Part No.	Description	Amt. Req.
1.	670L41	Control Box	1
2.	660-870	Bundling Strap.....	6
3.	RM2871B	Cable Tie.....	6
4.	998-338A	Knee Press.....	1
5.	998-387M	Plug.....	1
6.	998-147C	Holder Rod.....	1
7.	998-147D	Clamp.....	1
8.	90561Q	Wood Screw	1

TC3 TUBING



TC4 TUBING

